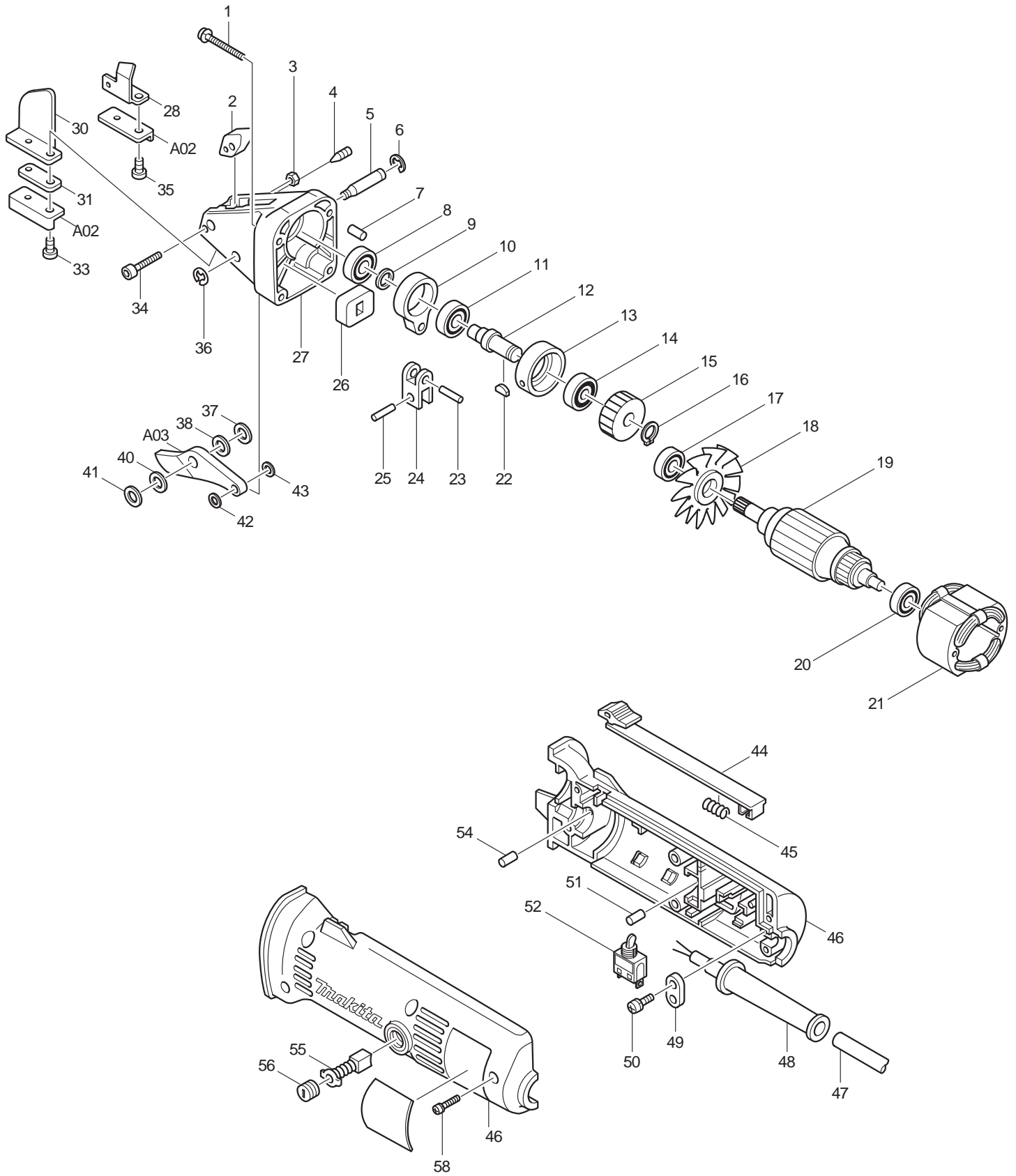




08 - 2010
JS1660
STRAIGHT SHEAR



Item No.	Type	Sub	Part No.	Description (*see service change on the bottom)	Qty	Unit
1			911161-0	PAN HEAD SCREW M4X35	4	PC.
2	1		331317-3	* BLOCK	1	PC.
		2	325727-4	* BLOCK	1	PC.
3			252083-8	HEX. LOCK NUT M4-7	1	PC.
4			265901-1	-SET SCREW(CONE POINT)M5X12	1	PC.
5			256733-7	PIN 7	1	PC.
6			961012-7	STOP RING E-6	1	PC.
7			263002-9	RUBBER PIN 4	1	PC.
8	1		211026-9	BALL BEARING 627LLB - N/L/A	1	PC.
		2	210025-8	BALL BEARING 627LLB	1	PC.
9			253133-2	FLAT WASHER 7	1	PC.
10			331273-7	ROD	1	PC.
11			211061-7	BALL BEARING 6000LLB	1	PC.
12			321850-3	CRANK SHAFT	1	PC.
13			315819-7	BUSH	1	PC.
14	1		211063-3	BALL BEARING 6000LB	1	PC.
		2	211061-7	BALL BEARING 6000LLB	1	PC.
15			221743-3	HELICAL GEAR 44	1	PC.
16			961006-2	RETAINING RING S-10	1	PC.
17			211033-2	BALL BEARING 608LB	1	PC.
18			241100-9	FAN 52	1	PC.
19			511526-2	ARMATURE ASS'Y 115V (OLD# 611526-3)	1	PC.
		INC.		Item No. 17,18,20		
20	1		211026-9	BALL BEARING 627LLB - N/L/A	1	PC.
		2	210025-8	BALL BEARING 627LLB	1	PC.
21			521526-4	FIELD ASS'Y 115V (OLD# 621526-5)	1	PC.
		INC.	654018-9	RING TERMINAL	2	PC.
		INC.	654501-6	CONNECTOR P-1.25	2	PC.
22			254031-3	WOODRUFF KEY 3	1	PC.
23			256155-1	PIN 5	1	PC.
24			331329-6	LINK	1	PC.
25			256155-1	PIN 5	1	PC.
26			423118-4	DUST COVER	1	PC.
27			157817-3	CRANK HOUSING	1	PC.
		INC.	256180-2	PIN 3	2	PC.
		INC.		Item No. 7		
28			343479-5	SLIP PLATE R	1	PC.
30			343480-0	SLIP PLATE L	1	PC.
31			343481-8	SPACER	1	PC.
33			251951-2	HEX. SOCKET HEAD BOLT M5X10	1	PC.
34			922147-9	HEX. SOCKET HEAD BOLT M4X25	1	PC.
35			251951-2	HEX. SOCKET HEAD BOLT M5X10	1	PC.
36			961011-9	STOP RING E-4	1	PC.
37			261065-9	TEFLON WASHER 7	1	PC.
38			253338-4	THIN WASHER 7	1	PC.
40			253338-4	THIN WASHER 7	1	PC.
41			261065-9	TEFLON WASHER 7	1	PC.
42			267010-2	FLAT WASHER 5	1	PC.
43			267010-2	FLAT WASHER 5	1	PC.
44			410529-2	SWITCH ROD	1	PC.
45			231223-1	COMPRESSION SPRING 6	1	PC.
46			181848-0	HOUSING SET	1	SET
		INC.	643557-4	BRUSH HOLDER 5-8	2	PC.
		INC.		Item No. 51,54		
47			664064-4	CORD W/PLUG 2P-18-2.5M,SJ	1	PC.
48			682502-4	CORD GUARD 8-85	1	PC.
49			687002-9	STRAIN RELIEF	1	PC.

Item No.	Type	Sub	Part No.	Description (*see service change on the bottom)	Qty	Unit
50			911133-5	PAN HEAD SCREW M4X18	2	PC.
51			263002-9	RUBBER PIN 4	1	PC.
52	1		651403-7	SWITCH ST115A-31	1	PC.
	2		651433-8	SWITCH ST115A-31	1	PC.
54			263002-9	RUBBER PIN 4	1	PC.
55	1		191947-0	CARBON BRUSH CB-76 2PC/SET (W/O ORIGIN)	1	SET
	2		194972-0	CARBON BRUSH CB-76 2PC/SET (W/ ORIGIN)	1	SET
56			643550-8	BRUSH HOLDER CAP 5-8	2	PC.
58			911158-9	PAN HEAD SCREW M4X30	5	PC.
60			410048-8	WRENCH HOLDER 3.4	1	PC.
100			652008-6	P.H. SCREW M3.5 X 7	2	PC.
101			654037-5	INSLTED TERMINAL FK1.25-M3	2	PC.
102			654509-0	CLOSED END TERMINAL 2-SD	1	PC.

ACCESSORIES

A01		783201-2	HEX. WRENCH 3	1	PC.
A02		792533-6	* SIDE BLADE SET	1	SET
A03		792534-4	CENTER BLADE	1	PC.
A04		762013-6	THICKNESS GAUGE	1	PC.

SERVICE CHANGES

1. Changes on Block and Side Blade Set

Item No.	Description	Type 1	Type 2
2	Block	331317-3	325727-4
A02	Side Blade Set	792533-6	

